

WOODEN
WINDOWS
AND DOORS





Wooden windows and doors URZĘDOWSKI



The Urzędowski brand, present on the market for over 30 years, has become synonymous for high quality wood joinery. Both windows and doors, manufactured from carefully selected batches of wood, bring a unique ambience and cosiness to each room. This can only be achieved through natural materials, which have been used in the building industry for ages.

The products of Urzędowski have earned their reputation due to their unique design and continuous improvement in quality, while at the same time taking advantage of all the technical innovations. All the goods are solely custom-made and adapted to individual Customer needs, from the selection of wood type and to colours and accessories from our vast portfolio of designs, shapes and colours.

Due to this, each house can become a unique and exceptional place limited only by the Customers' imagination and taste.

In our catalogue, you may find windows designed both in subtle classic shapes and modern ones, which are more frequently used in cubic architecture.

All the products we offer are manufactured in one of the largest wood joinery plants in Poland, which operate to the highest technological standards. The high quality of products is guaranteed by the use of state-of-the-art numerical machine tools and electrostatic paint shops adapted to using thinned waterbased ecological paints.

We are convinced that the choice of products offered by Urzędowski is a decision that will give you satisfaction for many years to come.





Wooden windows

Design Line

Holland

DESIGN

- the special design of windows intended for the **Dutch** market
- outside: 3 type of shapes (1901, 1903, 1906)
- inside shape: **Classic**
- frame profile: 140 mm
- 12 varnish colours and all RAL colours available

TECHNOLOGY

WOOD

- highest quality of construction elements in each layer controlled thanks to the production of our own square-sawn timber
- basic woods: pine wood, oak wood, meranti
- exotic woods: "sapele" mahogany, iroko, teak, American walnut
- verified and controlled sources of timber supply

VARNISHING

- precisely repeatable quality of the varnish coating thanks to the automated varnishing lines made by **Wagner/Eisenmann**
- electrostatic technology ensuring even application of the varnish, even in the most inaccessible places of the structure
- water-soluble **PPG/Teknos/Anker** varnishes which are harmless to health

FUNCTIONALITY

- tilt and turn fittings
- standard anti-burglar catch
- air vents, mounted in the frame of the sash or between top of the glass and the frame

ENERGY EFFICIENCY

MULTIPLE LAYER GLUED-LAMINATED TIMBER

the warmest natural construction material

2 GLAZING UNITS

- option to use glazing units from $U_g = 1.0 \text{ W/m}^2\text{K}$
- option to use **Swisspacer Advance and Ultimate**





System Holland

| wooden window |

Profile thickness: 114–140 mm

Insulating glass pane

Climaplus XN – $U_g=1.1 \text{ W/m}^2\text{K}$
Climaplus ONE – $U_g=1.0 \text{ W/m}^2\text{K}$

System Holland

| wooden window |

Profile thickness: 114–140 mm

Insulating glass pane

Climaplus XN – $U_g=1.1 \text{ W/m}^2\text{K}$
Climaplus ONE – $U_g=1.0 \text{ W/m}^2\text{K}$



pattern 19-01



pattern 19-04



pattern 19-06



Wooden & wooden-aluminium windows

Design Line

Casement IPA

DESIGN

- typical design in **UK or Skandynavian** market
- outside: **wood or aluminium frame**
- inside shape: **Classic**
- sash profile thickness: 68 mm
- frame profile: 92 mm
- 12 varnish colours and all RAL colours available

TECHNOLOGY

WOOD

- highest quality of construction elements in each layer controlled thanks to the production of our own square-sawn timber
- basic woods: pine wood, oak wood, meranti
- exotic woods: "sapele" mahogany, iroko, teak, American walnut
- verified and controlled sources of timber supply

VARNISHING

- precisely repeatable quality of the varnish coating thanks to the automated varnishing lines made by **Wagner/Eisenmann**
- electrostatic technology ensuring even application of the varnish, even in the most inaccessible places of the structure
- water-soluble **PPG/Teknos/Anker** varnishes which are harmless to health

FUNCTIONALITY

- open to outside: **IPA system**
- air vents, mounted in the frame of the sash or between top of the glass and the frame

ENERGY EFFICIENCY

MULTIPLE LAYER GLUED-LAMINATED TIMBER

– **Galux Softline** profile (88 mm), **Lexo Softline** profile (68 mm)

- the warmest natural construction material

3 GLAZING UNITS

- option to use glazing units from $U_g = 0.4 \text{ W/m}^2\text{K}$ ($U_g = 1.0 \text{ W/m}^2\text{K}$ for double glaze and $U_g = 0.5 \text{ W/m}^2\text{K}$ for triple glaze in Alu clad)
- option to use **Swisspacer Advance and Ultimate**





System Casement IPA

| Wooden- window |

Profile thickness: 68 mm

Insulating glass pane

Climaplus XN – $U_g=1.1 \text{ W/m}^2\text{K}$

Climaplus ONE – $U_g=1.0 \text{ W/m}^2\text{K}$

System Casement IPA

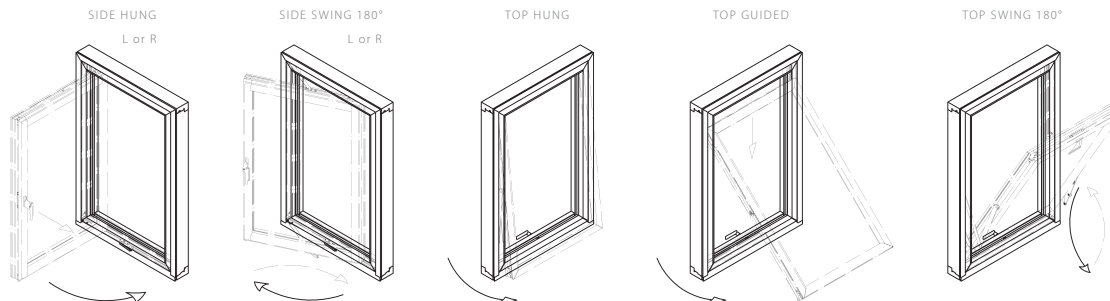
| Wooden-aluminium window |

Profile thickness: 68 mm

Insulating glass pane

Climaplus XN – $U_g=1.1 \text{ W/m}^2\text{K}$

Climaplus ONE – $U_g=1.0 \text{ W/m}^2\text{K}$





Wooden windows

Design Line

Q-Sash

DESIGN

- the design based on the **Dutch** windows is a combination of the upper wing (fixed) and lower part which imitates the vertical sliding sash
- inside shape: **Classic**
- sash profile: 68 mm
- frame profile: 140 mm
- 12 varnish colours and all RAL colours available

TECHNOLOGY

WOOD

- highest quality of construction elements in each layer controlled thanks to the production of our own square-sawn timber
- basic woods: pine wood, oak wood, meranti
- exotic woods: "sapele" mahogany, iroko, teak, American walnut
- verified and controlled sources of timber supply

VARNISHING

- precisely repeatable quality of the varnish coating thanks to the automated varnishing lines made by **Wagner / Eisenmann**
- electrostatic technology ensuring even application of the varnish, even in the most inaccessible places of the structure
- water-soluble **PPG / Teknos / Anker** varnishes which are harmless to health

FUNCTIONALITY

- the lower sash: tilt and turn function
- standard anti-burglar catch
- the tilt and turn function ensures perfect tightness of the construction

ENERGY EFFICIENCY

MULTIPLE LAYER GLUED-LAMINATED TIMBER

the warmest natural construction material

2 GLAZING UNITS

- option to use glazing units from $U_g = 1.0 \text{ W/m}^2\text{K}$
- option to use **Swisspacer Advance and Ultimate**





System **Q-Sash**

| wooden window |

Profile thickness: 114–140 mm

Insulating glass pane

Climaplust XN – $U_g = 1.1 \text{ W/m}^2\text{K}$

Climaplust ONE – $U_g = 1.0 \text{ W/m}^2\text{K}$



Wooden windows

Design Line

Sash

DESIGN

- typical construction used in **England, Ireland and USA**
- inside shape: **Classic**
- additional decorative elements, matched mullions, allow the construction to be further customized to the specific market
- sash profile: 58 mm
- frame profile: 162 mm

TECHNOLOGY

WOOD

- highest quality of construction elements in each layer controlled thanks to the production of our own square-sawn timber
- basic woods: pine wood, oak wood, meranti
- exotic woods: "sapele" mahogany, iroko, teak, American walnut
- verified and controlled sources of timber supply

VARNISHING

- precisely repeatable quality of the varnish coating thanks to the automated varnishing lines made by **Wagner / Eisenmann**
- electrostatic technology ensuring even application of the varnish, even in the most inaccessible places of the structure
- water-soluble **PPG / Teknos / Anker** varnishes which are harmless to health

FUNCTIONALITY

- both springs or counterweight hardware system can be implemented

ENERGY EFFICIENCY

MULTIPLE LAYER GLUED-LAMINATED TIMBER

the warmest natural construction material

2 GLAZING UNITS

- option to use glazing units from $U_g = 1.0 \text{ W/m}^2\text{K}$
- option to use **Swisspacer Advance and Ultimate**





System Sash

| wooden window |

Profile thickness: 162 mm

Insulating glass pane

Climaplus XN – $U_g = 1.1 \text{ W/m}^2\text{K}$

Climaplus ONE – $U_g = 1.0 \text{ W/m}^2\text{K}$



Wooden windows

Design Line

Modern

DESIGN

- **Modern** line with a minimum edge roundness radius (2 mm)
- dedicated for modern buildings
- unique snap-on glazing bead creates a precise connection with the window frame in one plane
- 12 varnish colours and all RAL colours available

TECHNOLOGY

WOOD

- highest quality of construction elements in each layer controlled thanks to the production of our own square-sawn timber
- basic woods: pine wood, oak wood, meranti
- exotic woods: "sapele" mahogany, iroko, teak, American walnut
- verified and controlled sources of timber supply

VARNISHING

- precisely repeatable quality of the varnish coating thanks to the automated varnishing lines made by **Wagner/Eisenmann**
- electrostatic technology ensuring even application of the varnish, even in the most inaccessible places of the structure
- water-soluble **PPG/Teknos/Anker** varnishes which are harmless to health

FUNCTIONALITY

- tilt-turn fittings with multi-point locking system in each opening light
- standard anti-burglar catch

ENERGY EFFICIENCY

MULTIPLE LAYER GLUED-LAMINATED TIMBER

- **Galux Modern** profile (92, 88, 78 mm), **Lexo Modern** profile (68 mm)
- the warmest natural construction material

GLAZING UNIT

- **Galux Modern** profile – 3 insulated glass units
- **Lexo Modern** profile – 2 insulated glass units
- **Swisspacer Advance** "warm edge" technology (Standard in Galux)
- option to use **Swisspacer Ultimate**





NEW

Galux Modern

| wooden window |

Profile thickness: 92 mm

New improved Thermo-drip
Insulating glass pane**Climatop XN** – $U_g = 0,5 \text{ W/m}^2\text{K}$ **Climatop ONE** – $U_g = 0,5 \text{ W/m}^2\text{K}$ **Climatop ECLAZ** – $U_g = 0,5 \text{ W/m}^2\text{K}$ 

Galux Modern

| wooden window |

Profile thickness: 88 mm

New improved Thermo-drip
Insulating glass pane**Climatop XN** – $U_g = 0,5 \text{ W/m}^2\text{K}$ **Climatop ONE** – $U_g = 0,5 \text{ W/m}^2\text{K}$ **Climatop ECLAZ** – $U_g = 0,5 \text{ W/m}^2\text{K}$

NEW



Galux Modern

| wooden window |

Profile thickness: 78 mm

New improved Thermo-drip
Insulating glass pane**Climatop XN** – $U_g = 0,7 \text{ W/m}^2\text{K}$ **Climatop ONE** – $U_g = 0,6 \text{ W/m}^2\text{K}$ 

Lexo Modern

| wooden window |

Profile thickness: 68 mm

Insulating glass pane

Climaplust XN – $U_g = 1,1 \text{ W/m}^2\text{K}$ **Climaplust ONE** – $U_g = 1,0 \text{ W/m}^2\text{K}$



Wooden windows

Design Line

Classic

DESIGN

- **Classic** line – moderate edge roundness radius (4 mm)
- perfect choice for traditional buildings with elements of modern style
- unique snap-on glazing bead creates a precise connection with the window frame
- 12 varnish colours and all RAL colours available

TECHNOLOGY

WOOD

- highest quality of construction elements in each layer controlled thanks to the production of our own square-sawn timber
- basic woods: pine wood, oak wood, meranti
- exotic woods: "sapele" mahogany, iroko, teak, American walnut
- verified and controlled sources of timber supply

VARNISHING

- precisely repeatable quality of the varnish coating thanks to the automated varnishing lines made by **Wagner / Eisenmann**
- electrostatic technology ensuring even application of the varnish, even in the most inaccessible places of the structure
- water-soluble **PPG / Teknos / Anker** varnishes which are harmless to health

FUNCTIONALITY

- tilt-turn fittings with multi-point locking system in each opening light
- standard anti-burglar catch

ENERGY EFFICIENCY

MULTIPLE LAYER GLUED-LAMINATED TIMBER

- **Galux Classic** profile (92, 88, 78 mm), **Lexo Classic** profile (68 mm)
- the warmest natural construction material

GLAZING UNIT

- **Galux Classic** profile – 3 insulating glass units
- **Lexo Classic** profile – 2 insulating glass units
- **Swisspacer Advance** "warm edge" technology (Standard in Galux)
- option to use **Swisspacer Ultimate**





NEW

Galux Classic

| wooden window |

Profile thickness: 92 mm

New improved Thermo-drip
Insulating glass pane**Climatop XN** – $U_g = 0,5 \text{ W/m}^2\text{K}$ **Climatop ONE** – $U_g = 0,5 \text{ W/m}^2\text{K}$ **Climatop ECLAZ** – $U_g = 0,5 \text{ W/m}^2\text{K}$ **Galux Classic**

| wooden window |

Profile thickness: 88 mm

New improved Thermo-drip
Insulating glass pane**Climatop XN** – $U_g = 0,6 \text{ W/m}^2\text{K}$ **Climatop ONE** – $U_g = 0,5 \text{ W/m}^2\text{K}$ **Climatop ECLAZ** – $U_g = 0,6 \text{ W/m}^2\text{K}$ 

NEW

Galux Classic

| wooden window |

Profile thickness: 78 mm

New improved Thermo-drip
Insulating glass pane**Climatop XN** – $U_g = 0,7 \text{ W/m}^2\text{K}$ **Climatop ONE** – $U_g = 0,6 \text{ W/m}^2\text{K}$ **Lexo Classic**

| wooden window |

Profile thickness: 68 mm

Insulating glass pane

Climaplust XN – $U_g = 1,1 \text{ W/m}^2\text{K}$ **Climaplust ONE** – $U_g = 1,0 \text{ W/m}^2\text{K}$



Wooden windows

Design Line

Softline

DESIGN

- **Softline** line – large edge roundness radius (10 mm)
- dedicated for traditional buildings
- unique snap-on glazing bead creates a precise connection with the window frame, giving it softly rounded shapes
- 12 varnish colours and all RAL colours available

TECHNOLOGY

WOOD

- highest quality of construction elements in each layer controlled thanks to the production of our own square-sawn timber
- basic woods: pine wood, oak wood, meranti
- exotic woods: "sapele" mahogany, iroko, teak, American walnut
- verified and controlled sources of timber supply

VARNISHING

- precisely repeatable quality of the varnish coating thanks to the automated varnishing lines made by **Wagner / Eisenmann**
- electrostatic technology ensuring even application of the varnish, even in the most inaccessible places of the structure
- water-soluble **PPG / Teknos / Anker** varnishes which are harmless to health

FUNCTIONALITY

- **Galux Softline** profile (88 mm) features greater window pane surface area and increased access to daylight compared with a 68 mm window
- tilt-turn fittings with multi-point locking system in each opening light
- standard anti-burglar catch

ENERGY EFFICIENCY

MULTIPLE LAYER GLUED-LAMINATED TIMBER

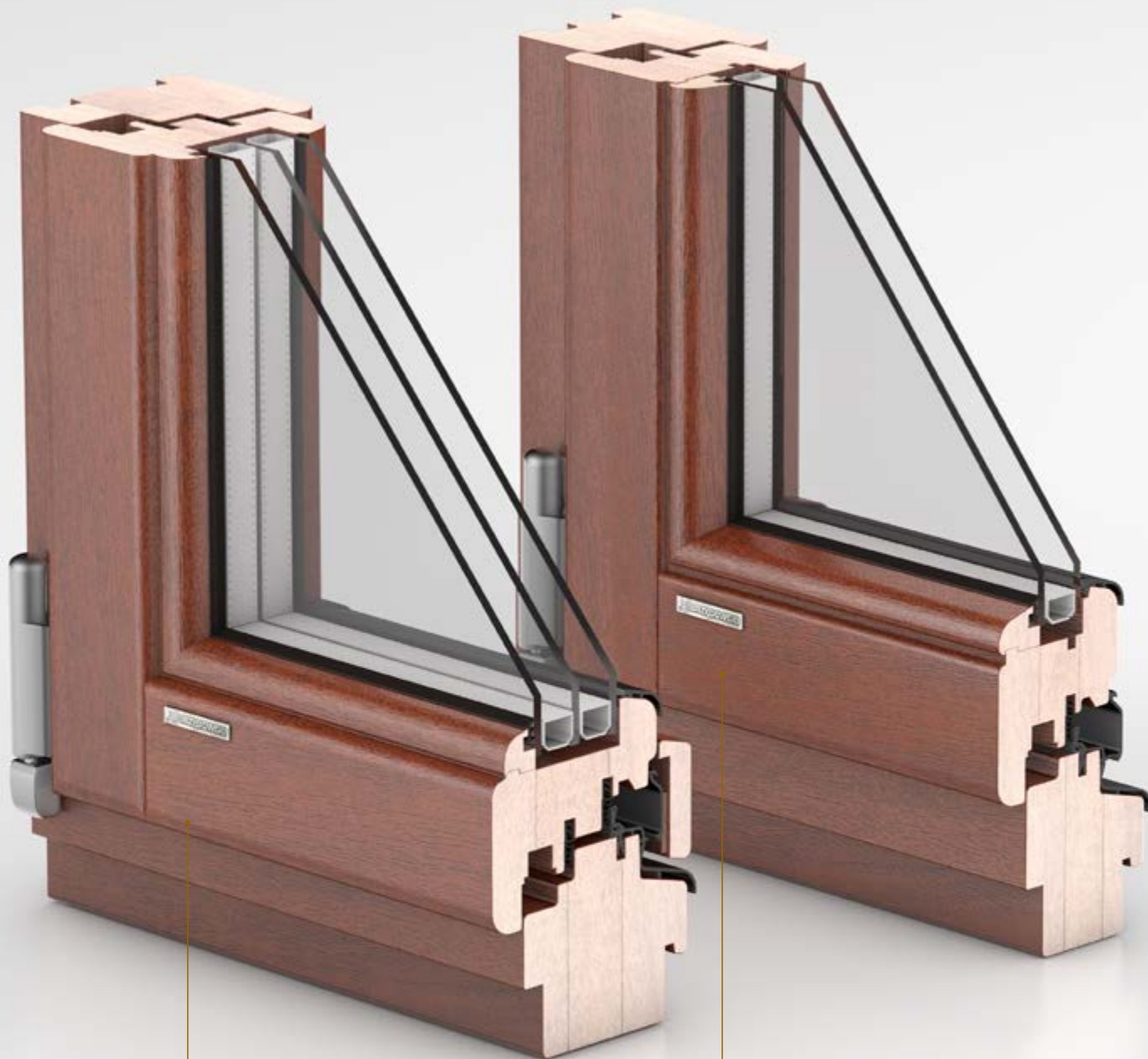
– **Galux Softline** profile (88 mm), **Lexo Softline** profile (68 mm)

- the warmest natural construction material

GLAZING UNIT

- **Galux Softline** profile – 3 insulating glass units
- **Lexo Softline** profile – 2 insulating glass units
- **Swisspacer Advance** "warm edge" technology (Standard in Galux)
- option to use **Swisspacer Ultimate**





Galux Softline

| wooden window |

Profile thickness: 88 mm

Insulating glass pane

Climatop XN – $U_g = 0,6 \text{ W/m}^2\text{K}$

Climatop ONE – $U_g = 0,5 \text{ W/m}^2\text{K}$

Climatop ONE Krypton – $U_g = 0,4 \text{ W/m}^2\text{K}$

Lexo Softline

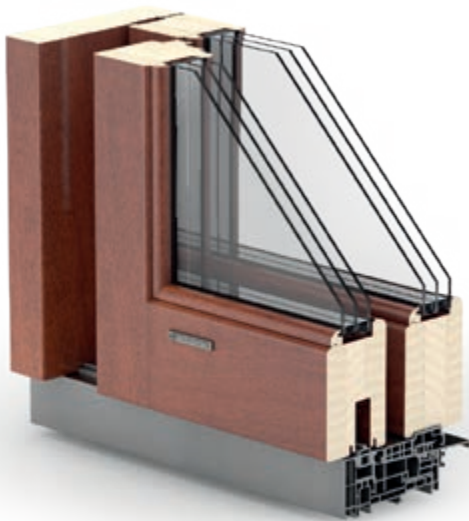
| wooden window |

Profile thickness: 68 mm

Insulating glass pane

Climaplus XN – $U_g = 1,1 \text{ W/m}^2\text{K}$

Climaplus ONE – $U_g = 1,0 \text{ W/m}^2\text{K}$



ASSEMBLY A



ASSEMBLY G



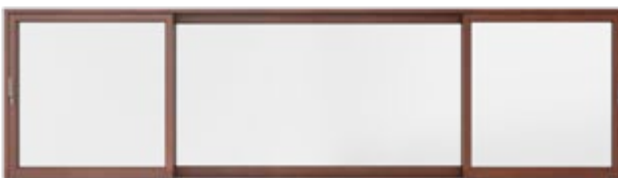


VIEW FROM THE INSIDE

ASSEMBLY C



ASSEMBLY K



Sliding terrace door system HS

DESIGN

- available options include constructing the door using any window profile of the Modern, Classic and Softline design lines
 - **Modern** – on the basis of the Galux Modern and Lexo Modern window profiles
 - **Classic** – on the basis of the Galux Modern and Lexo Modern window profiles
 - **Softline** – on the basis of the Galux Softline and Lexo Softline window profiles
- 12 varnish colours and all RAL colours available
- lowered sliding profile of the threshold – only 10 mm above the floor level

TECHNOLOGY

WOOD

- highest quality of construction elements in each layer controlled thanks to the production of our own square-sawn timber
- basic woods: pine wood, oak wood, meranti
- exotic woods: “sapele” mahogany, iroko, teak, American walnut
- verified and controlled sources of timber supply

VARNISHING

- precisely repeatable quality of the varnish coating thanks to the automated varnishing lines made by **Wagner/Eisenmann**
- electrostatic technology ensuring even application of the varnish, even in the most inaccessible places of the structure
- water-soluble **PPG/Teknos/Anker** varnishes which are harmless to health

FUNCTIONALITY

- option to order very large door sizes (door leaf weight of up to 400 kg)
- option to install automatic opening and closing systems

LIVING ROOM – large glazing which opens the space and low threshold in the sliding terrace door

ENERGY EFFICIENCY

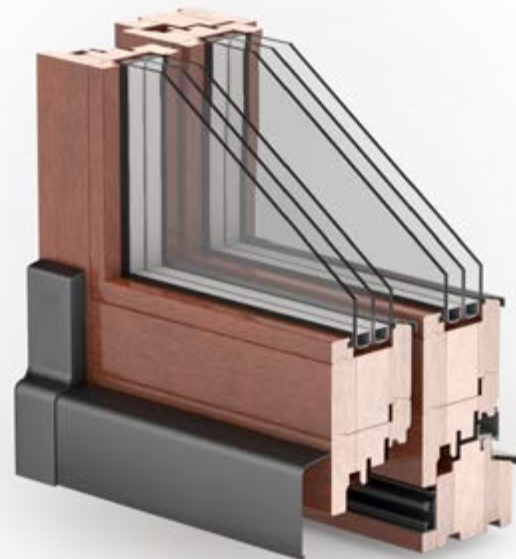
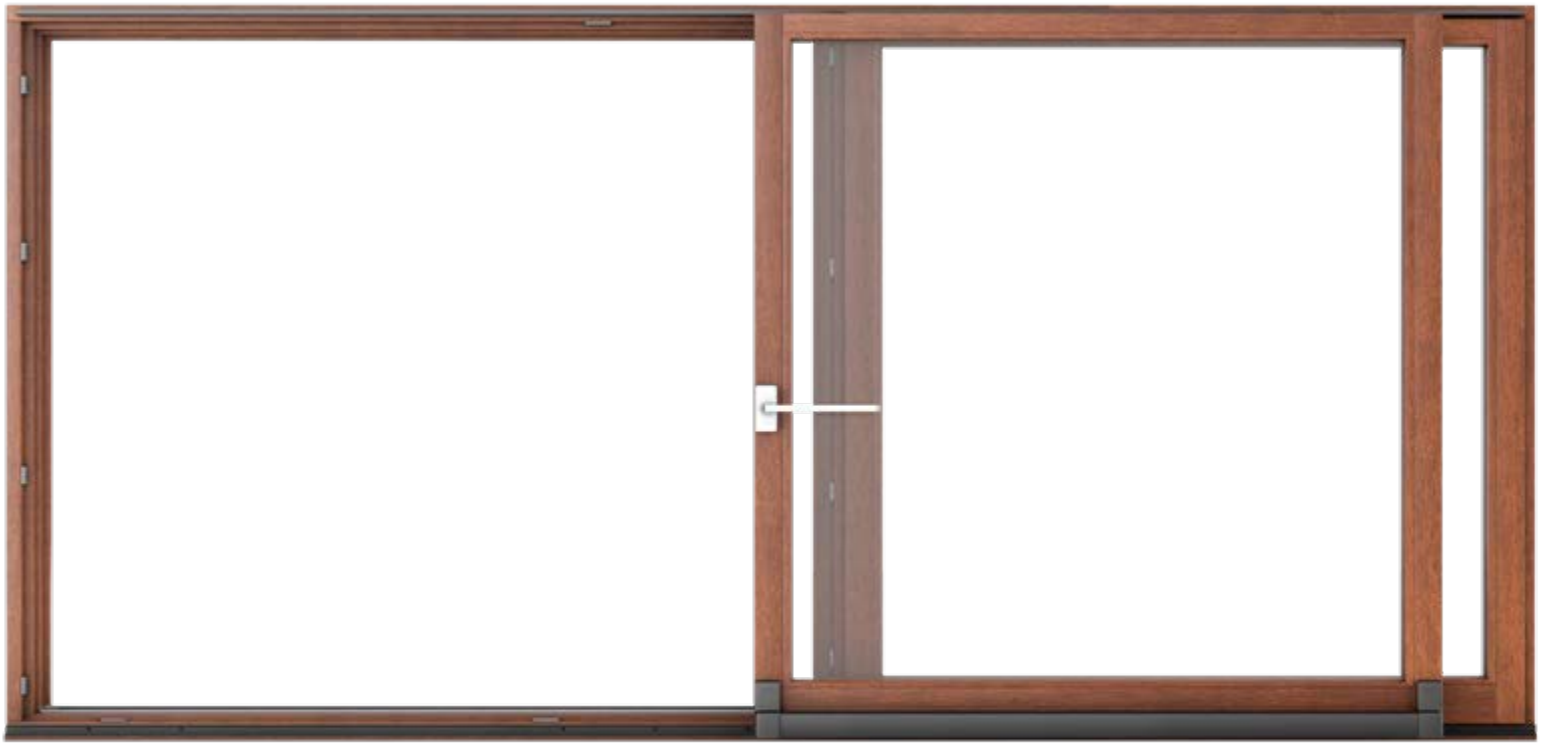
MULTIPLE LAYER GLUED-LAMINATED TIMBER

– **Galux** profile (92, 88, 78 mm), **Lexo** profile (68 mm)

- the warmest natural construction material

2 OR 3 GLAZING UNITS (information in the window profile descriptions)

- option to use glazing units from $U_g = 0.4 \text{ W/m}^2\text{K}$
- **Swisspacer Advance** “warm edge” technology (Galux as standard)
- option to use **Swisspacer Ultimate**





VIEW FROM THE INSIDE
DOOR LEAF TILT ONLY IN THE MZ SYSTEM

Terrace door system MZ / PS

DESIGN

- available options include constructing the door using any window profile of the Modern, Classic and Softline design lines
 - **Modern** – on the basis of the Galux Modern and Lexo Modern window profiles
 - **Classic** – on the basis of the Galux Classic and Lexo Classic window profiles
 - **Softline** – on the basis of the Galux Softline and Lexo Softline window profiles
- 12 varnish colours and all RAL colours available

TECHNOLOGY

WOOD

- highest quality of construction elements in each layer controlled thanks to the production of our own square-sawn timber
- option to order very large door sizes (door leaf weight of up to 200 kg)
- basic woods: pine wood, oak wood, meranti
- exotic woods: "sapele" mahogany, iroko, teak, American walnut
- verified and controlled sources of timber supply

VARNISHING

- precisely repeatable quality of the varnish coating thanks to the automated varnishing lines made by **Wagner / Eisenmann**
- electrostatic technology ensuring even application of the varnish, even in the most inaccessible places of the structure
- water-soluble **PPG / Teknos / Anker** varnishes which are harmless to health

FUNCTIONALITY

- automatic system which assists in opening and closing (MZ)
- **door leaf tilt system (MZ only)**
- Galux profile features greater window pane surface area and increased access to daylight compared with a 68 mm window
- standard anti-burglar catch

LIVING ROOM – large glazing which opens the space

ENERGY EFFICIENCY

MULTIPLE LAYER GLUED-LAMINATED TIMBER

– **Galux** profile (92, 88, 78 mm), **Lexo** profile (68 mm)

- the warmest natural construction material
- **2 OR 3 GLAZING UNITS** (information in the window profile descriptions)
- option to use glazing units from $U_g = 0.4 \text{ W/m}^2\text{K}$
- **Swisspacer Advance** "warm edge" technology (Galux as standard)
- option to use **Swisspacer Ultimate**



Wooden-aluminium windows

Design Line

Modern

DESIGN

- **Modern** line with a minimum edge roundness radius (2 mm)
- dedicated for modern buildings
- 12 varnish colours and all RAL colours available

DURABILITY AND AESTHETICS

- highly weather-resistant
- modern-shaped aluminium guards: **Quadrat** and **Quadrat FB**
- over 30 colours of aluminium and all RAL colours available

TECHNOLOGY

WOOD

- highest quality of construction elements in each layer controlled thanks to the production of our own square-sawn timber
- basic woods: pine wood, oak wood, meranti
- exotic woods: "sapele" mahogany, iroko, teak, American walnut
- verified and controlled sources of timber supply

VARNISHING

- precisely repeatable quality of the varnish coating thanks to the automated varnishing lines made by **Wagner/Eisenmann**
- electrostatic technology ensuring even application of the varnish, even in the most inaccessible places of the structure
- water-soluble **PPG/Teknos/Anker** varnishes which are harmless to health

FUNCTIONALITY

- tilt-turn fittings with multi-point locking system in each opening light
- standard anti-burglar catch

ENERGY EFFICIENCY

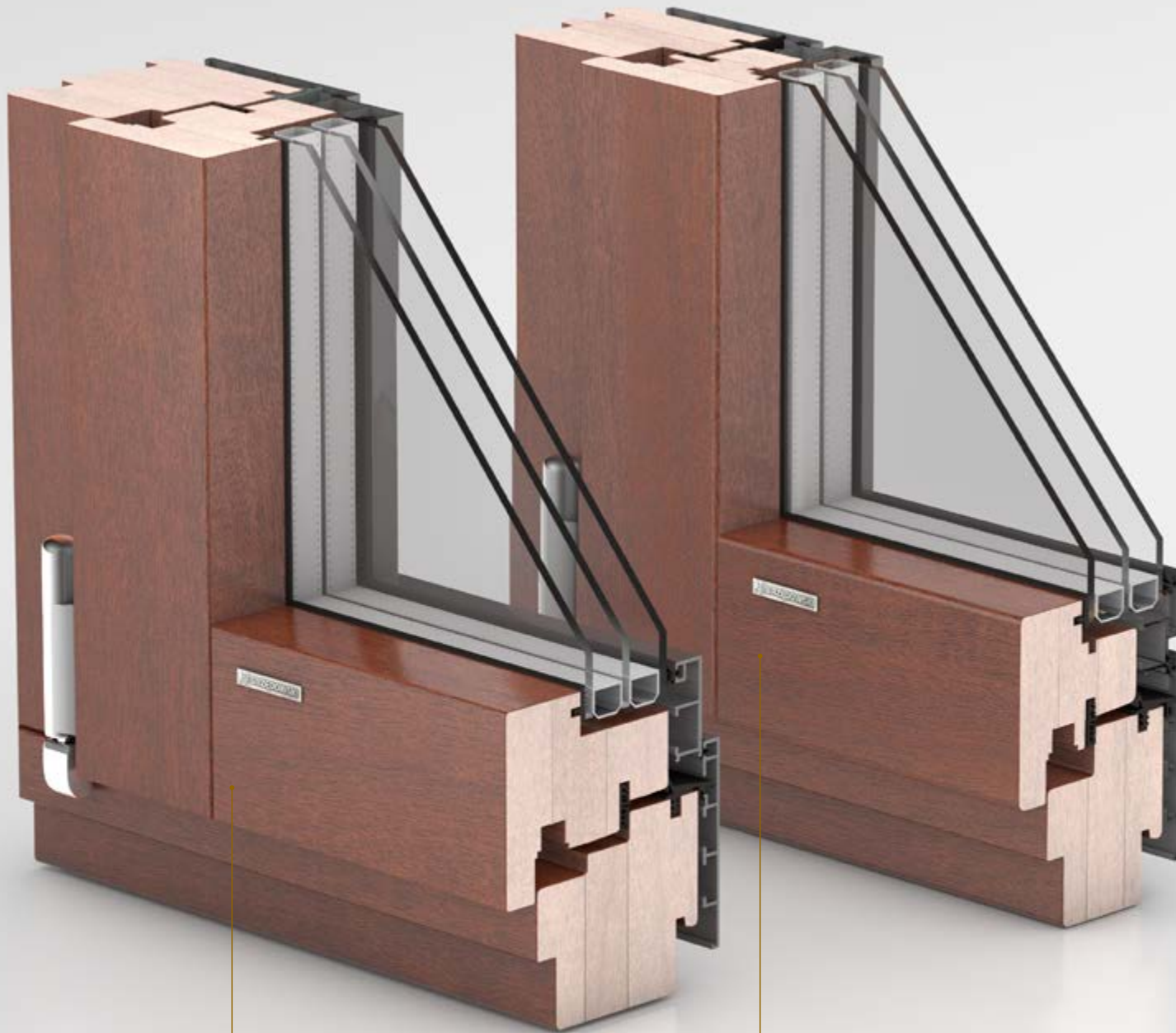
MULTIPLE LAYER GLUED-LAMINATED TIMBER

- **Galux Alu Modern** profile (88 mm), **Lexo Alu Modern** profile (68 mm)
- the warmest natural construction material

3 GLAZING UNIT

- option to use glazing units from $U_g = 0.4 \text{ W/m}^2\text{K}$ ($U_g = 0.6 \text{ W/m}^2\text{K}$ for Lexo and $U_g = 0.5 \text{ W/m}^2\text{K}$ for Galux as standard)
- **Swisspacer Advance** "warm edge" technology standard
- option to use **Swisspacer Ultimate**





Galux Alu Modern

| Wooden-aluminium window |

Profile thickness: 88 mm

Quadrat aluminium guard

Insulating glass pane

Climatop ONE – $U_g = 0.5 \text{ W/m}^2\text{K}$

Climatop ONE Krypton – $U_g = 0.4 \text{ W/m}^2\text{K}$

Lexo Alu Modern

| Wooden-aluminium window |

Profile thickness: 68 mm

Quadrat FB aluminium guard

Insulating glass pane

Climatop XN – $U_g = 0.6 \text{ W/m}^2\text{K}$

Climatop ONE – $U_g = 0.5 \text{ W/m}^2\text{K}$

Climatop ONE Krypton – $U_g = 0.4 \text{ W/m}^2\text{K}$



LINEAR ALUMINIUM GUARD

CLASSIC ALUMINIUM GUARD

Wooden-aluminium windows

Design Line

Classic

DESIGN

- **Galux Alu Classic** line – moderate edge roundness radius (4 mm)
- perfect choice for traditional buildings with elements of modern style
- 12 varnish colours and all RAL colours available

DURABILITY AND AESTHETICS

- highly weather-resistant
- aluminium guards: **Classic** and **Linear**
- over 30 colours of aluminium and all RAL colours available

TECHNOLOGY

WOOD

- highest quality of construction elements in each layer controlled thanks to the production of our own square-sawn timber
- basic woods: pine wood, oak wood, meranti
- exotic woods: "sapele" mahogany, iroko, teak, American walnut
- verified and controlled sources of timber supply

VARNISHING

- precisely repeatable quality of the varnish coating thanks to the automated varnishing lines made by **Wagner/Eisenmann**
- electrostatic technology ensuring even application of the varnish, even in the most inaccessible places of the structure
- water-soluble **PPG/Teknos/Anker** varnishes which are harmless to health

FUNCTIONALITY

- tilt-turn fittings with multi-point locking system in each opening light
- standard anti-burglar catch

ENERGY EFFICIENCY

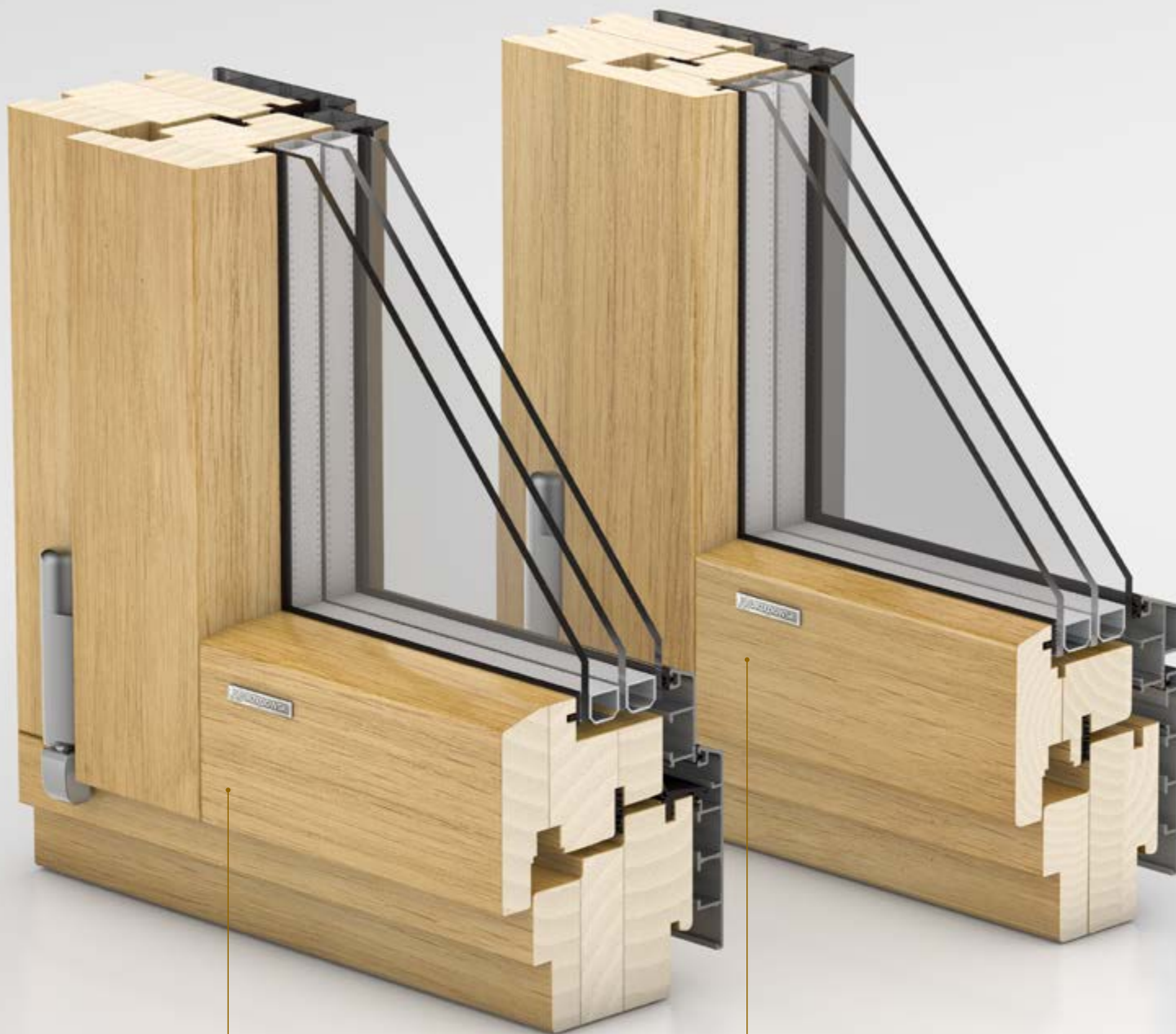
MULTIPLE LAYER GLUED-LAMINATED TIMBER

- **Galux Alu Classic** profile (88 mm), **Lexo Alu Classic** profile (68 mm)
- the warmest natural construction material

3 GLAZING UNIT

- option to use glazing units from $U_g = 0.4 \text{ W/m}^2\text{K}$ ($U_g = 0.6 \text{ W/m}^2\text{K}$ for Lexo and $U_g = 0.5 \text{ W/m}^2\text{K}$ for Galux as standard)
- **Swisspacer Advance** "warm edge" technology standard
- option to use **Swisspacer Ultimate**





Galux Alu Classic

| Wooden-aluminium window |

Profile thickness: 88 mm

Classic aluminium guard

Insulating glass pane

Climatop ONE – $U_g = 0.5 \text{ W/m}^2\text{K}$

Climatop ONE Krypton – $U_g = 0.4 \text{ W/m}^2\text{K}$

Lexo Alu Classic

| Wooden-aluminium window |

Profile thickness: 68 mm

Linear aluminium guard

Insulating glass pane

Climatop XN – $U_g = 0.6 \text{ W/m}^2\text{K}$

Climatop ONE – $U_g = 0.5 \text{ W/m}^2\text{K}$

Climatop ONE Krypton – $U_g = 0.4 \text{ W/m}^2\text{K}$



SOFTLINE ALUMINIUM GUARD

Wooden-aluminium windows

Design Line

Softline

DESIGN

- **Softline** line – large edge roundness radius (10 mm)
- dedicated for traditional buildings
- 12 varnish colours and all RAL colours available

DURABILITY AND AESTHETICS

- highly weather-resistant
- soft-shaped aluminium guard: **Softline**
- over 30 colours of aluminium and all RAL colours available

TECHNOLOGY

WOOD

- highest quality of construction elements in each layer controlled thanks to the production of our own square-sawn timber
- basic woods: pine wood, oak wood, meranti
- exotic woods: "sapele" mahogany, iroko, teak, American walnut
- verified and controlled sources of timber supply

VARNISHING

- precisely repeatable quality of the varnish coating thanks to the automated varnishing lines made by **Wagner/Eisenmann**
- electrostatic technology ensuring even application of the varnish, even in the most inaccessible places of the structure
- water-soluble **PPG/Teknos/Anker** varnishes which are harmless to health

FUNCTIONALITY

- tilt-turn fittings with multi-point locking system in each opening light
- standard anti-burglar catch

ENERGY EFFICIENCY

MULTIPLE LAYER GLUED-LAMINATED TIMBER

- **Galux Alu Softline** profile (88 mm), **Lexo Alu Softline** profile (68 mm)
- the warmest natural construction material

3 GLAZING UNIT

- option to use glazing units from $U_g = 0.4 \text{ W/m}^2\text{K}$ ($U_g = 0.6 \text{ W/m}^2\text{K}$ for Lexo and $U_g = 0.5 \text{ W/m}^2\text{K}$ for Galux as standard)
- **Swisspacer Advance** "warm edge" technology standard
- option to use **Swisspacer Ultimate**





Galux Alu Softline

| Wooden-aluminium window |

Profile thickness: 88 mm

Softline aluminium guard

Insulating glass pane

Climatop ONE – $U_g = 0.5 \text{ W/m}^2\text{K}$

Climatop ONE Krypton – $U_g = 0.4 \text{ W/m}^2\text{K}$

Lexo Alu Softline

| Wooden-aluminium window |

Profile thickness: 68 mm

Softline aluminium guard

Insulating glass pane

Climatop XN – $U_g = 0.6 \text{ W/m}^2\text{K}$

Climatop ONE – $U_g = 0.5 \text{ W/m}^2\text{K}$

Climatop ONE Krypton – $U_g = 0.4 \text{ W/m}^2\text{K}$



ASSEMBLY A



ASSEMBLY G



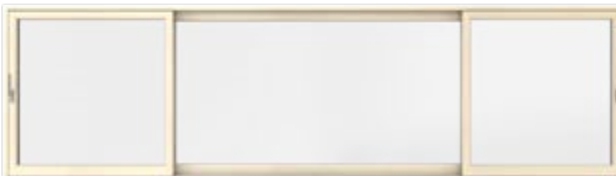


VIEW FROM THE OUTSIDE

ASSEMBLY C



ASSEMBLY K



Sliding terrace door system

HS Alu

DESIGN

- available options include constructing the door using any window profile of the Modern, Classic and Softline design lines
 - Modern** – on the basis of the Galux Alu Modern and Lexo Alu Modern window profiles
 - Classic** – on the basis of the Galux Alu Classic and Lexo Alu Classic window profiles
 - Softline** – on the basis of the Galux Alu Softline and Lexo Alu Softline window profiles
- 12 varnish colours and all RAL colours available
- Quadrant, Quadrant FB, Linear, Classic and Softline aluminium guards available
- lowered sliding profile of the threshold – only 10 mm above the floor level
- glazing beads matching the design of profiles

DURABILITY AND AESTHETICS

- highly weather-resistant
- aluminium guards matching the design of wooden profiles (Quadrant, Quadrant FB, Linear, Classic, Softline)
- over 30 colours of aluminium and all RAL colours available

TECHNOLOGY

WOOD

- highest quality of construction elements in each layer controlled thanks to the production of our own square-sawn timber
- basic woods: pine wood, oak wood, meranti
- exotic woods: “sapele” mahogany, iroko, teak, American walnut
- verified and controlled sources of timber supply

VARNISHING

- precisely repeatable quality of the varnish coating thanks to the automated varnishing lines made by **Wagner / Eisenmann**
- electrostatic technology ensuring even application of the varnish, even in the most inaccessible places of the structure
- water-soluble **PPG / Teknos / Anker** varnishes which are harmless to health

FUNCTIONALITY

- option to order very large door sizes (door leaf weight of up to 400 kg)
- option to install automatic opening and closing systems

LIVING ROOM – large glazing which opens the space and low threshold in the sliding terrace door

ENERGY EFFICIENCY

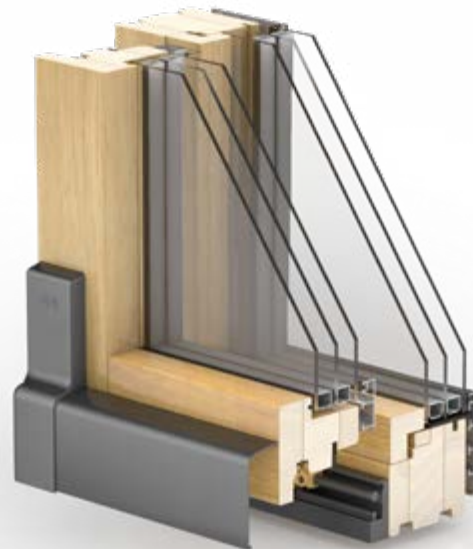
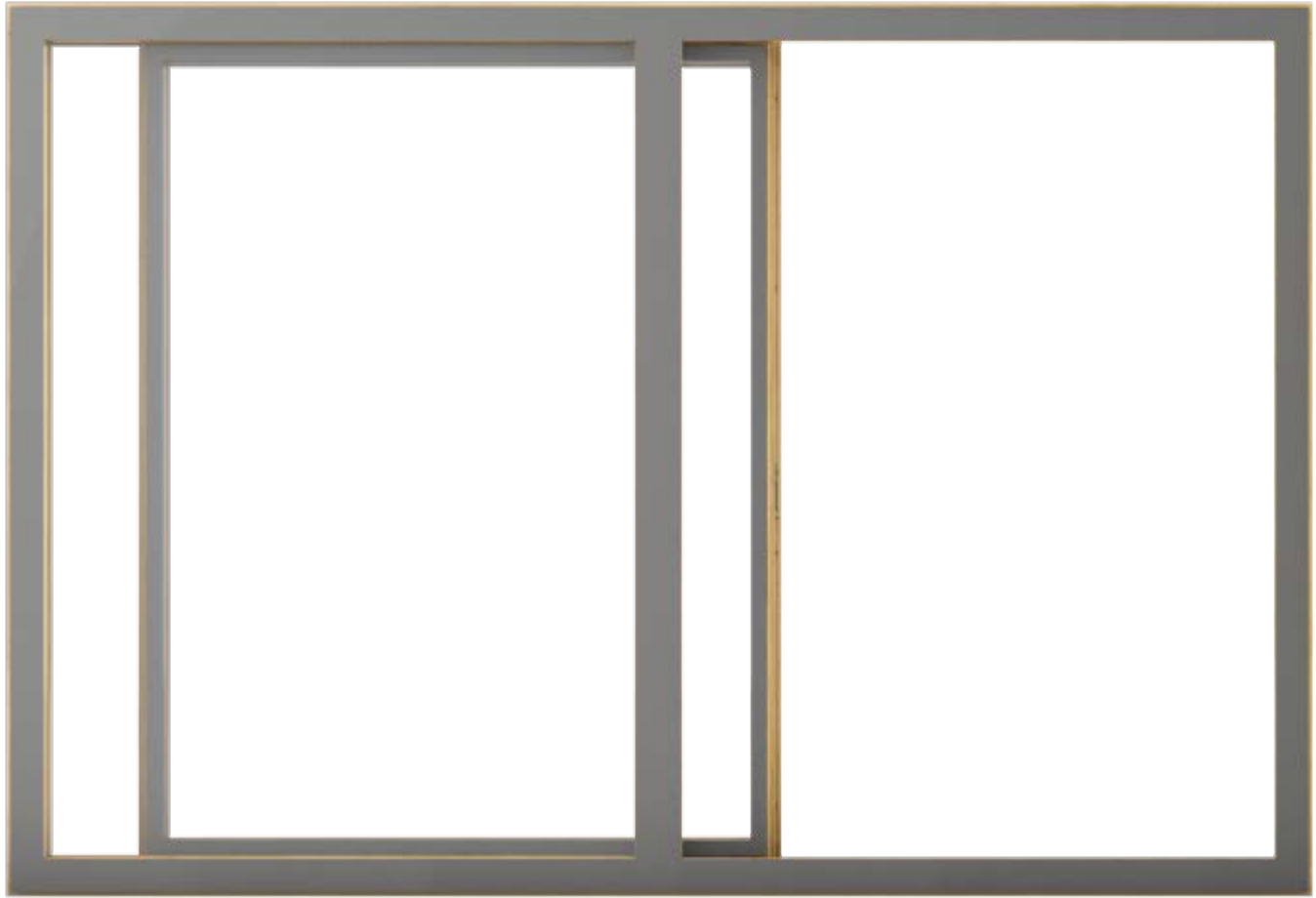
MULTIPLE LAYER GLUED-LAMINATED TIMBER

– **Galux** profile (88 mm), **Lexo** profile (68 mm)

- the warmest natural construction material

3 GLAZING UNITS (information in the window profile descriptions)

- option to use glazing units from $U_g = 0.4 \text{ W/m}^2\text{K}$
- Swisspacer Advance** “warm edge” technology standard
- option to use **Swisspacer Ultimate**





VIEW FROM THE OUTSIDE
DOOR LEAF TILT ONLY IN THE MZ ALU SYSTEM

Sliding terrace door system MZ Alu / PS Alu

DESIGN

- available options include constructing the door using any window profile of the Modern, Classic and Softline design lines
 - **Modern** – on the basis of the Galux Alu Modern and Lexo Alu Modern window profiles
 - **Classic** – on the basis of the Galux Alu Classic and Lexo Alu Classic window profiles
 - **Softline** – on the basis of the Galux Alu Softline and Lexo Alu Softline window profiles
- 12 varnish colours and all RAL colours available
- Quadrant, Quadrant FB, Linear, Classic and Softline aluminium guards available
- glazing beads matching the design of profiles

DURABILITY AND AESTHETICS

- highly weather-resistant
- aluminium guards matching the design of wooden profiles (Quadrant, Quadrant FB, Linear, Classic, Softline)
- over 30 colours of aluminium and all RAL colours available

TECHNOLOGY

WOOD

- highest quality of construction elements in each layer controlled thanks to the production of our own square-sawn timber
- option to order very large door sizes (door leaf weight of up to 200 kg)
- basic woods: pine wood, oak wood, meranti
- exotic woods: "sapele" mahogany, iroko, teak, American walnut
- verified and controlled sources of timber supply

VARNISHING

- precisely repeatable quality of the varnish coating thanks to the automated varnishing lines made by **Wagner / Eisenmann**
- electrostatic technology ensuring even application of the varnish, even in the most inaccessible places of the structure
- water-soluble **PPG / Teknos / Anker** varnishes which are harmless to health

FUNCTIONALITY

- automatic system which assists in opening and closing (MZ)
- **door leaf tilt system (MZ only)**
- standard anti-burglar catch

LIVING ROOM – large glazing which opens the space

ENERGY EFFICIENCY

MULTIPLE LAYER GLUED-LAMINATED TIMBER

- **Galux** profile (88 mm), **Lexo** profile (68 mm)
- the warmest natural construction material

3 GLAZING UNITS (information in the window profile descriptions)

- option to use glazing units from $U_g = 0.4 \text{ W/m}^2\text{K}$
- **Swisspacer Advance** "warm edge" technology standard
- option to use **Swisspacer Ultimate**



THE EXTERIOR DOOR

VILLA line

The exterior door is made using a profile with a width of

88 mm



The door has a frame and panel structure. The door leaf frame and the door frame are made from glued-laminated timber ("block" or 4-layer gluing).

The central part of the door leaf is a sandwich panel:

- in the case of solid door designs, it is a combination of water-resistant plywood and a heat-insulating insert
- in the case of glazed door designs, it is a combination of water-resistant plywood and a glazing unit (P4/16Ar/4 parsol brown ESG)

Innovative hinge system made by

SIMONSWERK type Baka Protect 3D.
BANDTECHNIK

comes as standard in the exterior door

Advantages of the applied Baka Protect 3D hinges:

- three-plane adjustment (side play, closing pressure, height)
- convenient adjustment without the need to take the door off its hinges
- high load capacity of 130 kg
- maintenance-free WF slide bearings technology (additional plastic sliding ring on the bearing ensures many years of optimum hinge operation)

GU strip lock, model MR 2

Advantages of the applied lock:

- 3-point locking
- two massive locks with a steel insert providing protection against cutting through
- sealed lock case – foreign bodies do not interfere with the operation
- optimum anti-corrosion protection thanks to the application of ferGU electroplated coating

Standard exterior door dimensions:

width	height
1060 mm	
1100 mm	2110 mm
1160 mm	

Custom-made doors may also be ordered, including custom dimensions and design in accordance with the Customer's specification.





villa 001



villa 017



Villa 301



Villa 315





Villa 039



Villa 131



Villa 421



Villa 406



Villa 422



Villa 410



Villa 414



Villa 420



Villa 419



Villa 207



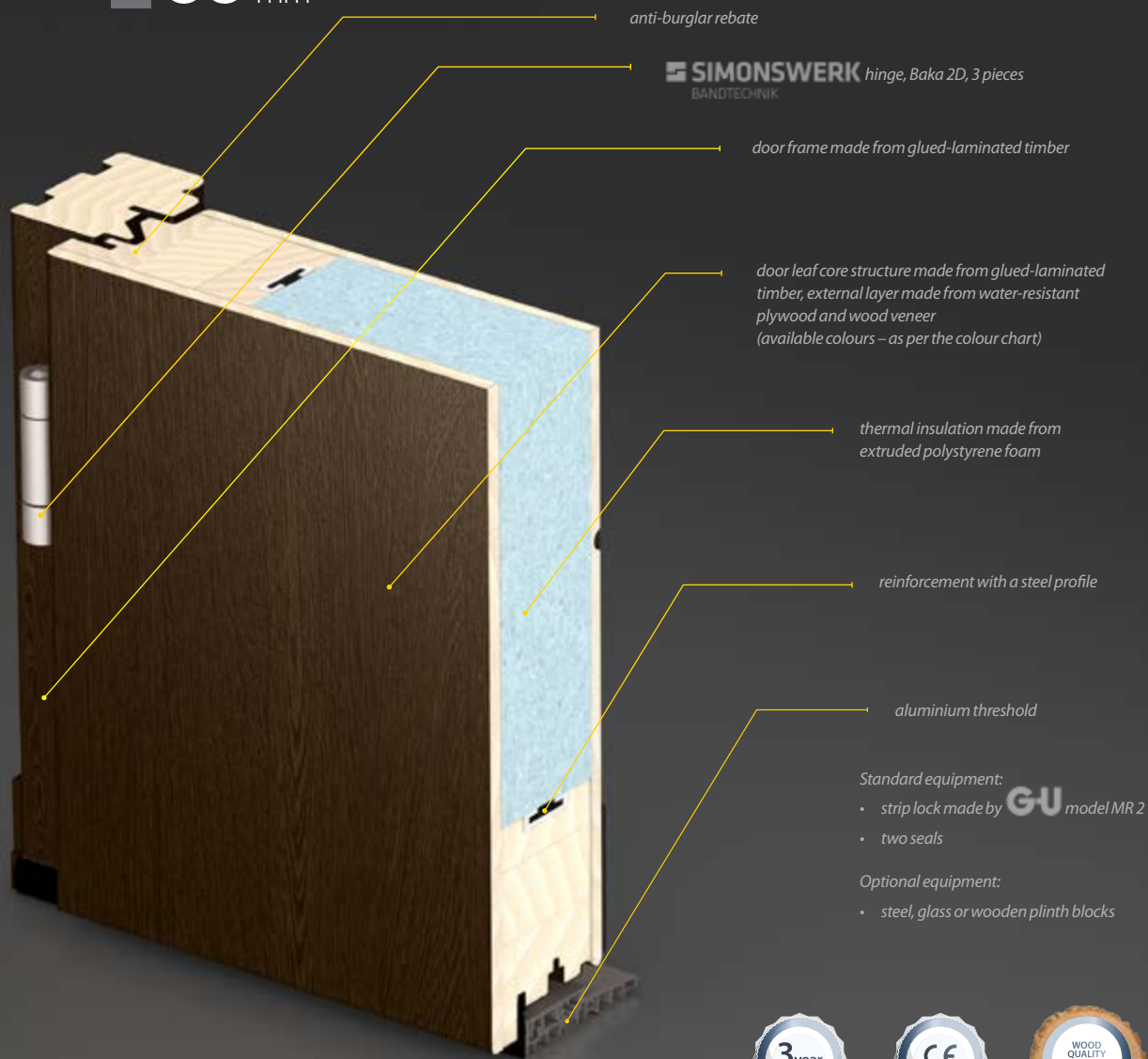


EXTERIOR PANEL DOOR

TREND line

The exterior door is made using
a profile with a width of

88 mm





Trend 500



Trend 505



Trend 530



Trend 530 INOX



Trend 535



Trend 535 INOX



Trend 531



Trend 531 INOX



Trend 501



Trend 501 INOX



Trend 502



Trend 502 INOX



Trend 511



Trend 511 INOX



Trend 524



Trend 524 INOX



Trend 525



Trend 525 INOX



Trend 526



Trend 526 INOX

OAK



D28

D29

D3

D24

D30

D1

D9

D31

D27

D4

D8

RAL 7016

PINE



S16

S10

S11

S12

S1

S13

S14

S5

S15

S4

S8

RAL 7016

MERANTI



M30

M24

M29

M11

M15

M31

M32

M33

M27

M14

M18

RAL 7016

EXOTIC WOODS



TEAK

IROKO

SAPELI

AMERICAN
WALNUTBRUSHED
OAKBRUSHED
MERANTI

ACCOYA

WHITWASHED
OAK





www.urzedowski.pl



BMK Europe S.A.
ul. Ćwiczebna 100
51-009 Wrocław, Poland

Urzedowski Window and Door Factory
ul. Przemysłowa 40B, 57-220 Ziębice, Poland
tel. +48 77 83 444 00, export@urzedowski.pl